

扫一扫 关注我



欢迎查阅官网

INTRODUCTION

马斯德克致力于成为可提供高品质建筑空间整体解决方案的专业提供者。引进了国际先进的全自动柔性加工生产中心和先进的自动喷涂流水线，专注多年的钢制建材产品生产、沉淀与发展，产品种类已涵盖医用钢质门、无障碍移门系统；室内门、防火门、玻璃隔断及钢制墙板、金属吊顶等。马斯德克严格执行欧盟CE及德国DIN品质标准，提供绿色环保、万无一失的品质保证是我们的承诺。

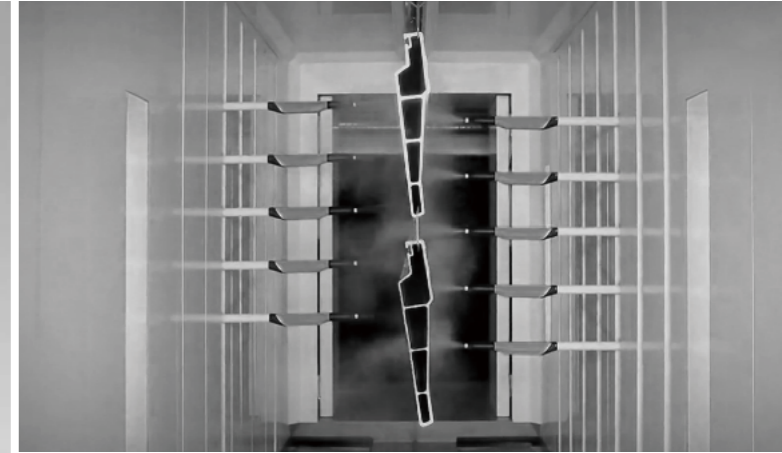
马斯德克严苛的品质要求，是您的信任之选，期待与您一起创造出更智能、更绿色、更有设计感的现代建筑空间环境而努力。

马斯德克——建筑空间整体解决方案专业提供者

Mörsdekor is committed to become a professional company that can provide integrated solutions of architectural space. Our company has introduced the international most advanced fully automatic flexible manufacturing center and advanced automatic spraying line, After many years of precipitation and development for production of steel building materials product, our product range has covered steel doors, barrier free door, interior doors, steel fire door, steel wall plate, steel space partition, metal ceiling and so on. Marsdekor strictly implement the EU CE and Germany DIN quality standard, so as to provide the green environmental protection and perfectly safe quality assurance, which is our promise.

Strict product quality of Mörsdekor is the choice of your trust, and we look forward to working with you together to create a more intelligent, more environmental, more design sense of modern architectural space environment.

Mörsdekor
—Professional provider of architectural space integrated solution



Mörsdekor[®]
马斯德克





"3R" 准则：是马斯德克环保方针，践行于设计、生产、管理的每个细节中，实现绿色生产。这也是企业应承担的社会责任。

"3R" criteria: is Mörsdekor environmental protection policy, and practice is applied in every detail of design, production and management to achieve green production. This is also the corporate social responsibility.



Mörsdekor

设计卓越

马斯德克每年对研发的投入约占销售总额的5%，且此比重还在持续提升中。就市场对钢制建材行业产品的技术需求及改进做出迅速反应，依靠先进的研发技术洞察，实现了企业质的飞跃发展。

Design Excellence

Mörsdekor's annual investment in R & D accounts for is about 5% of the total sales, and this proportion is still in continuous improvement. Mörsdekor makes rapid response on the market for steel building materials industry technology needs and improvement. Relying on advanced R & D technology insight, which has realized the qualitative leap development.

产品优质

我们严谨生产、鼓励创新，从源头精选原材料，采用宝钢镀锌钢板，高强度的品质保证，结合仿生优质蜂窝和德国进口五金配件，细心把握每一个细节，从人性化的关怀给予使用者的舒适手感、力度及体验感；营造绿色环保的品质同时满足时尚空间的设计潮流，体验舒适和安全。

Product Quality

We highly guarantee the quality in strict production; encourage innovation and selecting galvanized steel from Baosteel. Combined with the bionic high-quality cellular and Germany hardware fittings, we grasp every detail carefully, from the humanistic care to provide users the comfortable feel, strength and experience. We create the quality of the green environmental protection at the same time meet the design trends of the fashion space and experience comfort and safety.

制作精良

马斯德克产品采用多边柔性工艺，门框、门扇表面无焊点，进口优质不锈钢五金配件，与德国合作研发、设计、技术创新。严格执行欧盟CE及德国DIN品质标准，引领国内建筑空间环境行业高端市场典范。

Well Made

Mörsdekor has developed multilateral flexible technics, door frames, door leaf surface without welds in the product, imported high quality stainless steel hardware fittings and also, cooperated with the Germany for R & D, design and technical innovation. We strictly implement the EU CE and Germany DIN quality standard and lead the high-end domestic architectural environment industry market model.

施工便捷

马斯德克的产品体系可充分实现各装饰面一体化的完美结合，使墙面装饰线条与吊顶面线条一气呵成，系统化的施工流程，简化传统装修步骤，提高施工效率。

Convenient Construction

Mörsdekor's product system can fully realize the perfect integration of wall and ceiling with the decorative wall and ceiling surface. Systematic construction process and simplification of traditional decoration steps improves the efficiency of construction.



SPACE R T

解构空间的艺术

“解构”是一种设计，是理性将其拆解，同时建立了自己的结构。马斯德克是您强有力的合作伙伴，为高品质的室内建筑设计案提供品质卓越的产品，成就您非凡的创意。

"Deconstruction" is a kind of design, it is rational to disassemble it, at the same time, the establishment of its own structure. Mörsdekor is your strong partner, for the high quality of the interior architectural design case, to provide outstanding products, and achieve your extraordinary creativity.

INDEX

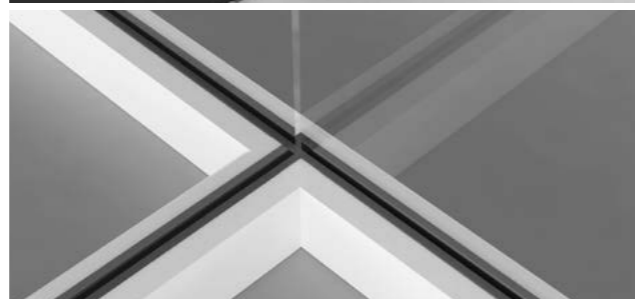
- 06 FEINLINE I 全景单玻隔断系统
Feinline I-single Glass System
- 10 FEINLINE II 全景悬浮双玻隔断系统
Feinline II-levitating Double Glass System
- 14 COMO双玻隐框隔断系统
COMO- Double Flush Glass System
- 16 PARTHENON 全钢防火 / 双玻明框系统
Fire-proof All Steel System
Parthenon-Double Glass With Upright System
- 18 金属墙板隔断
Metal Combination Partition System
- 20 墙板系统
Cladding System
- 24 吸音元素
Acoustic Absorption Elements
- 26 门系统
Door System
教育用门系统
Education Door System
实验室用门系统
Lab Door System
- 34 防火门
Steel Fire Door
- 38 金属吊顶
Metal Ceiling



FEINLINE | 全景单玻隔断系统 Feinline I-single Glass System

灵动多变的全玻璃系统,如水晶般晶莹剔透,使得办公空间极其通透。办公单元间分隔却不分离,线条极简却不简单。所有的型材轮廓仅有纤纤35毫米,如采用隔音胶片玻璃,不仅代表更加经济实惠的成本,出色的隔音性能超越普通双玻产品,通透如斯,美感超凡。令人信服的极快速安装过程,更可搭配各种门扇。

Smart and changeable all glass system like crystal clear and transparent, so that the office space is extremely transparent. Separation between office units but not separate. The line is extremely brief but not simple. All the profile contours only slight 35 mm, as using glass insulation film, not only represents a more economical cost, excellent sound insulation performance beyond ordinary double glass products, connect fully, the extraordinary aesthetic feeling. Convincing extremely fast installation process, more can match all kinds of doors.



基本参数

- 通高单层玻璃系统
- 多种单层 10 / 12 mm钢化安全玻璃或夹胶玻璃
- 玻璃墙体高度 < 3200 mm
- 边框型材宽度 35 mm, 边框型材高度 35 mm
- 玻璃间的连接: 透明亚克力胶带、金属或水晶压条
- 隔音参数: Rw 36 - 42 dB
- 可配置穿孔金属吸音板和 3D 聚酯纤维吸音板, 吸音系数 > 0.8

Parameter

- Fully-glass wall system
- Variable single glass section for 10/12 toughened glass or laminated glass
- Height of glass wall < 3200mm
- Width of frame profile 35mm. Height of frame profile 35mm
- Glass joint: Transparent silicone tape, Metal or crystal connection
- Sound insulation: Rw 36 - 42 dB
- Can be equipped with perforated metal sound-absorbing panel and 3D polyester sound-absorbing panel, acoustic absorption elements NRC > 0.8





FEINLINE | 全景单玻隔断系统
Feinline I-single Glass System



吸音元素

- 聚酯纤维板: NRC > 0.8
- 微穿孔铝板: NRC > 0.8

Acoustic absorption elements

- Polyester panel: NRC > 0.8
- Perforated panel: NRC > 0.8



门型种类

- 单片玻璃门
- 带框单玻门
- 木纹钢质门
- 钢质门
- 双层玻璃门
- 移门



Door Types

- Single Glass Door
- Framed Single Glass Door
- Timber Door
- Steel Door
- Double Glass Door
- Sliding Door



FEINLINE II 全景悬浮双玻隔断系统 FeinLine II-levitating Double Glass System

马斯德克全新开创的全通透悬浮的双层玻璃结构。无玻璃卡槽。玻璃面板悬浮在天地轨之间，将极简线条运用的精彩绝伦，仍然是35毫米，纤细轻盈的型材却仍然拥有可调节高度功能。超乎寻常的隔音性能足以满足较高的静音要求。其优雅的设计尤其适合办公室、走廊和商谈区域。

Mörsdekor's newly created fully transparent suspended double layers glass structure. No glass card slot. Glass panel suspended between the tracks. The brief line works wonderfully, and it still is 35mm, slender light section still holds a function of the adjustable height. The sound insulation performance is sufficient to meet quiet requirements. Its elegant design is particularly suited to the office corridor and negotiation area.



基本参数

- 双层悬浮全玻璃系统
- 双层 12 mm 钢化安全玻璃或夹胶玻璃
- 100 mm 墙体厚度
- 玻璃墙体高度 < 3200 mm
- 边框型材高度 35 mm
- 玻璃间的连接：透明亚克力胶带、金属或水晶压条
- 隔音参数：Rw 42 - 48 dB
- 可配置穿孔金属吸音板和 3D 聚酯纤维吸音板。吸音系数 > 0.8

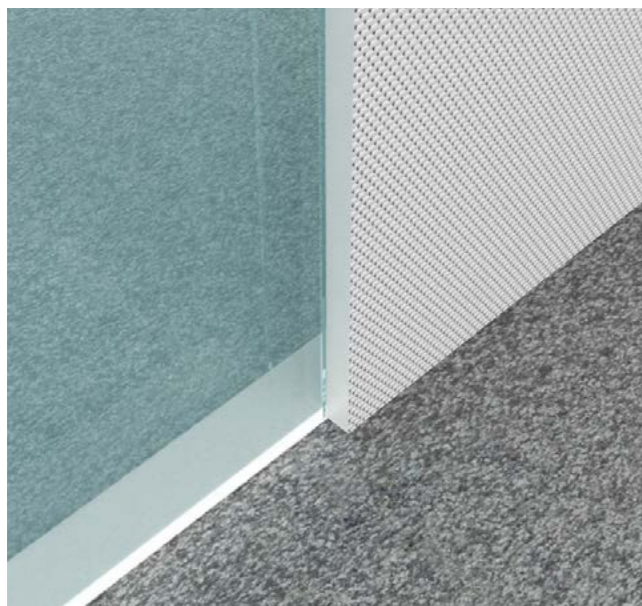
Parameter

- Double suspended fully-glass wall system
- Double glass section for 12 toughened glass or laminated glass
- Width of wall 100 mm
- Height of glass wall < 3200 mm
- Height of frame profile 35 mm
- Glass joint: transparent silicone tape, metal or crystal connection
- Sound insulation: Rw 42 - 48 dB
- Can be equipped with perforated metal sound-absorbing panel and 3D polyester sound-absorbing panel, acoustic absorption elements NRC > 0.8





FEINLINE II 全景悬浮双玻隔断系统
Feinline II-levitating Double Glass System



吸音元素

- 聚酯纤维板: NRC > 0.8
- 微穿孔铝板: NRC > 0.8

Acoustic absorption elements

- Polyester panel: NRC > 0.8
- Perforated panel: NRC > 0.8



门型种类

- 单片玻璃门
- 带框单玻门
- 木纹钢质门
- 钢质门
- 双层玻璃门
- 移门

Door Types

- Single Glass Door
- Framed Single Glass Door
- Timber Door
- Steel Door
- Double Glass Door
- Sliding Door



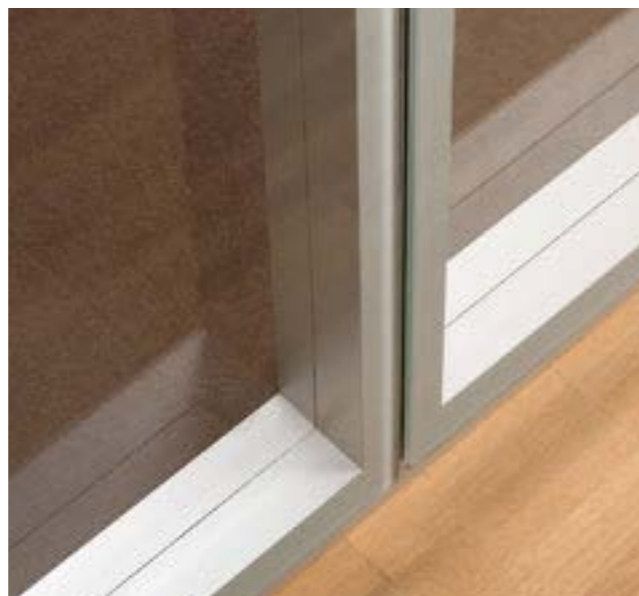


COMO双玻隐框隔断系统

COMO- Double Flush Glass System

如水面般平整的表面令你的办公室墙面看起来像一道靓丽的风景。创新的结构使得该系统有着超高的隔音功能。可搭配巨幅宽景的玻璃图案和雾化效果玻璃，也可搭配与墙体一样厚的双层玻璃门，令设计的整体性更加完美。

The surface is as smooth as the water surface, so that your office wall looks like a beautiful scenery. The structure of the innovation makes the system has good sound insulation function. Can match the a wide view of pattern design and frosted effect of glass, and match with double glass doors as thick as the wall. Make the integrity of the design more perfect.



基本参数

- 隐藏竖框的双层玻璃系统
- 双层 6 mm 丝印钢化安全玻璃
- 玻璃墙体高度 < 6000 mm
- 100 mm 墙体厚度
- 天轨外露 35 mm, 地轨外露 50 mm
- 玻璃间连接: 通过铝型材外框卡于夹紧龙骨中
- 隔音参数: 玻璃墙体 Rw 45 - 52 dB, 钢板墙体 Rw 45 - 55 dB
- 设计元素: 吸音板、百叶、丝印玻璃、设备带

Parameter

- Double glass, hiding upright post wall system
- Double glass section for 6 mm toughened glass
- Height of glass wall < 6000 mm
- Width of wall 100 mm
- Ceiling track profile 35 mm, Floor track profile 50 mm
- Glass joint: assembled with alumium frame, installed by clamping keel
- Sound insulation: glass wall Rw 45 - 52 dB, solid wall Rw 45 - 55 dB
- Design elements: acoustic absorption panel, blinds, silk print glass, switchboard





PARTHENON 全钢防火 / 双玻明框系统
Fire-proof All Steel System
Parthenon-Double Glass With Upright System

该系统灵活多变的模块化设计依赖于马斯德克的核心专利龙骨, 各种实体板面和玻璃元素的互相搭配在更加宽泛的范围内得以无限拓展, 更加整体化的装配单元适用于各种不同类型的框架和门形。

The flexible modular design of the system depends on the core of the Mörsdekor's patent technology. A variety of entities panels and glass elements match each other to expand in the infinite collocation within a broader range. A more integrated assembly unit is suitable for a variety of different types of frames and doors.

■ 明框双玻系统可做成全钢的系统, 该系统通过国家防火型式认证。

Parthenon-double Glass With Upright System can be made of all steel system, the system through the national fire protection type test certification.



基本参数

- 有竖框的双层玻璃系统
- 双层 6 mm / 8 mm 钢化安全玻璃
- 玻璃墙体高度 < 6000 mm
- 100 mm 墙体厚度
- 天轨外露 35 mm, 地轨外露 50 mm
- 玻璃间连接: 通过铝型材 / 钢型材外框卡夹于夹紧龙骨中
- 隔音参数: 玻璃墙体 Rw 45 - 52 dB, 钢板墙体 Rw 45 - 55 dB
- 设计元素: 吸音板、百叶、丝印玻璃、设备带

Parameter

- Double glass ,mullion based wall system
- Double glass section for 6 , 8 mm toughened glass
- Height of glass wall < 6000 mm
- Width of wall 100 mm
- Ceiling track profile 35 mm, Floor track profile 50 mm
- Glass joint: assembled with aluminum frame, installed by clamping keel
- Sound insulation: glass wall Rw 45 - 52 dB, Solid wall Rw 45 - 55 dB
- Design elements: acoustic absorption panel, blinds, silk print glass, switch Board





金属墙板隔断

Metal Combination Partition System

马斯德克的金属墙板隔断基于创新的夹紧龙骨打造。尤其适用于医疗健康领域和实验室、办公室。钢制板材和玻璃元素的搭配不仅提高墙体的通透性，而且安装和拆卸极其简单，各种管线可内藏其中，便于检修。同时具有坚固的墙体和易清洁的表面。通过严苛的盐雾试验以证明在酸碱环境下的耐久度。并且可以进行抗菌喷涂，创造洁净、安全的人性化空间。

Mörsdekor's metal wall panels partition is based on the creation of the clamping keel. It is especially suitable for medical health field and laboratory, office. The combination of steel plate and glass elements not only increases the permeability of the wall, but also is extremely simple to install and disassemble, and all kinds of pipeline can be hidden within the partition, which is convenient for maintenance. At the same time with a solid wall and easy to clean the surface. Through a rigorous salt spray test to demonstrate the durability of the acid base environment. And can be carried out antibacterial spray, to create a clean, safe and humane space.

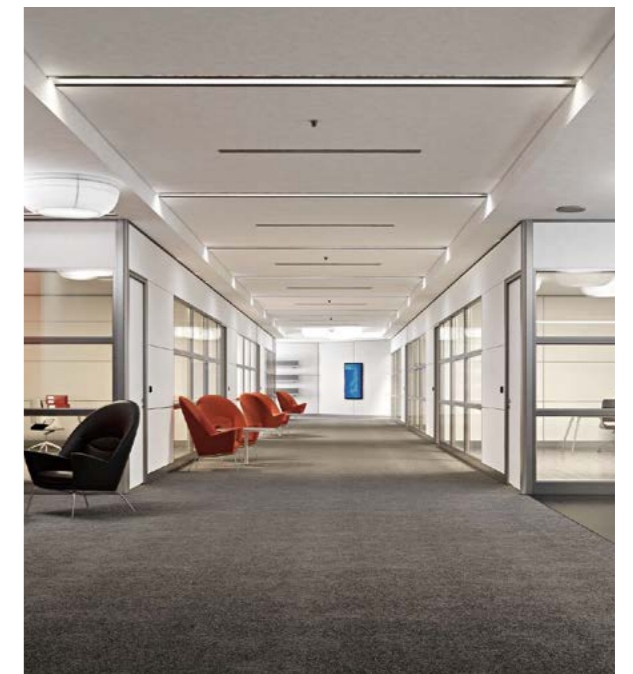


基本参数

- 双层复合墙体系统
- 双层 6 mm 钢化安全玻璃和双层钢板复合系统
- 100 mm 墙体厚度
- 墙体高度 < 6000 mm
- 天轨外露 35 mm，地轨外露 50 mm
- 模块间连接：通过铝型材外框卡夹于夹紧龙骨中
- 隔音参数：玻璃墙体 Rw 45 - 52 dB，钢板墙体 Rw 45 - 55 dB
- 设计元素：钢板、木纹板、吸音板、百叶、丝印玻璃、设备带
- 耐火时间 ≥ 60分钟

Parameter

- Double combined wall systems.
- Double 6 mm toughened glass combined double steel panel systems
- Thickness of wall: 100 mm
- Height of wall: < 6000 mm
- Ceiling track profile 35 mm, floor track profile 50 mm
- Jointing point: assembled with aluminum frame, installed by clamping keel
- Sound insulation: glass wall Rw 45 - 52 dB, solid wall Rw 45 - 55 dB
- Design elements: steel panel, timber panel, acoustic absorption panel, blinds, silk print glass, switch board
- Fire-resistant time ≥ 60 min





墙板系统
Cladding System

马斯德克的单面挂墙板系统是突破传统的先锋。使用卡夹式的连接结构。板材和龙骨不使用螺钉连接，安装、拆卸极为方便，减少建筑承重。缩短施工工期，可选多种颜色及饰面，创造建筑灵动空间。

Mörsdekor's single wall panel system is a pioneer breakthrough in the traditional. Use clip type connection structure. Plate and keel without screw connection. Easy to install and remove. Reduce building load and shorten construction time limit for project. A variety of colors and decorative surface selection, creating a smart space for building.



基本参数

- 单层复合墙体系统
- 15 - 60 mm 墙体厚度
- 墙体高度: < 6000 mm
- 天轨外露: 35 mm
- 地轨外露: 50 mm
- 模块间: 5 mm 勾缝或密拼
- 设计元素: 钢板、木纹板、吸音板、软包、丝印玻璃
- 燃烧性能: A级

Parameter

- Single combined wall systems
- Thickness of wall: 15 - 60 mm
- Height of wall: < 6000 mm
- Ceiling track profile: 35 mm
- Floor track profile: 50 mm
- Jointing point: 5 mm or 0 mm
- Design elements: steel panel, wooden panel, acoustic absorption panel, fabric panel, silk print glass
- Combustion performance: A-level





墙板系统
Cladding System

马斯德克金属墙板更精彩的是多种饰面皆可运用自如,无论是平滑如水面的玻璃,还是温暖自然的木纹,抑或轻柔舒适的软包,都可以满足您创意空间的需要。

More exciting is that the variety of finishes can be used, either it is as smooth as the surface of the glass, or warmth of natural wood grain, or fabric panel of soft and comfortable, can meet the needs of your creative space.





吸音元素

Acoustic Absorption Elements

静谧的空间使人平静安详。马斯德克创新运用的各种吸音元素，是我们与南京大学声学研究所合作的成果。不仅使得您的墙面具有生动活泼的面貌，而且明显使得声音干扰得以减弱。提升空间品质和舒适度，无形中工作效率悄然加速。

Quiet space makes a person calm and serene. Mörsdekor's innovation, application of all kinds of sound absorbing elements, is the achievement of our cooperation with nanjing university institute of acoustics. Not only makes your wall has vivid appearance, and apparently makes sound interference subsides. Enhance the quality and comfort of space, invisible work efficiency quietly accelerated.



吸音元素

- 聚酯纤维板: NRC > 0.8
- 微穿孔铝板: NRC > 0.8

Acoustic absorption elements

- Polyester panel: NRC > 0.8
- Perforated panel: NRC > 0.8





门系统
Door System

马斯德克钢质门采用 FINN Power 全自动加工中心。多边柔性工艺，门框、门扇表面无焊点；宝钢 1.5 mm 优质镀锌板；聚酯喷涂，十五年品质质保；不锈钢五金配件，经久耐用。

Mörsdekor was developed from the Auto Processing Center of FINN Power. Multilateral flexible technics, door frames, door leaf surface without welds. Baosteel 1.5 mm high quality galvanized sheet. The polyester coatings, fifteen years quality warranty. Fitting with quality stainless steel hardware fittings and durable.



门型种类

- 单片玻璃门
- 带框单玻门
- 木纹钢质门
- 钢质门
- 双层玻璃门
- 移门

Door Types

- Single Glass Door
- Framed Single Glass Door
- Timber Door
- Steel Door
- Double Glass Door
- Sliding Door





钢制教室门 Steel Door For Classroom

产品特性

- 门框采用一次成型的一体式结构。
- 门板面材三面互相咬合结构, 在保证门扇外观平顺挺括的同时充分保证门扇粘结强度。
- 门扇单侧外装盖缝板结构, 在保证门扇整体效果的同时嵌入式气密材料充分实现隔音密封。
- 斜面型材视窗, 单侧斜面PVC胶条, 实现美观的同时方便日常卫生清洁维护。
- 材质为环保镀锌钢板, 表面阿克苏聚酯涂层, 抗污, 绿色环保。具有保温、隔声、防潮、便于清洗等特点。

Product Features

- The door frame is a formed, integrated structure.
- The door panel material is a three-side occlusal structure, which can fully ensure the bond strength of the door while ensuring the smooth appearance.
- A cover-strip plate structure is installed on one side of the door, ensuring the overall effect of the door; and the embedded airtight materials can fully achieve the soundproof and sealing effect.
- The bevel profile window and single-sided slant PVC strips can achieve aesthetic appearance and facilitate daily cleaning and maintenance.
- The door material is environmentally friendly galvanized steel sheet, with the Akzo polyester coating, it can resist dirt, greening and environmentally friendly. It has the features of thermal insulation, sound insulation, moisture proof and easy to clean, etc..



门型参数 / SPEC

■ 门框钢板厚度 / Steel panel thickness of door frame	1.5 mm
■ 门扇钢板厚度 / Steel panel thickness of door leaf	0.7 mm
■ 门扇厚度 / Thickness of the door leaf	40 ~ 50 mm
■ 门扇骨架厚度 / Thickness of the door leaf frame	≥ 1.0 mm
■ 手动推力 / Manual thrust	< 100 N
■ 隔声性能 / Sound insulation performance	Rw = 35 dB 四级 (GB / T8485-2008)
■ 防撞性能 / Anti-collision performance	符合GB / T20909-2017
■ 保温性能 / Thermal insulation performance	传热系数K = 2.8W / (m ² .k) 五级
■ 内部填充 / Infill material	聚氨酯发泡材料、蜂窝芯 / Optional drive sensor, Honeycomb paper
■ 单开门MAX / Single door MAX (mm)	1250 × 3000 mm
■ 双开门MAX / Double door MAX (mm)	2500 × 3000 mm





钢制办公室门 Steel Door For Office

产品特性

- 门框采用一次成型的一体式结构。
- 门板面材三面互相咬合结构, 在保证门扇外观平顺挺括的同时充分保证门扇粘结强度。
- 门扇单侧外装盖缝板结构, 在保证门扇整体效果的同时嵌入式气密材料充分实现隔音密封。
- 斜面型材视窗, 单侧斜面PVC胶条, 实现美观的同时方便日常卫生清洁维护。
- 材质为环保镀锌钢板, 表面阿克苏聚酯涂层, 抗污、绿色环保。具有保温、隔声、防潮、便于清洗等特点。

Product Features

- The door frame is a formed, integrated structure.
- The door panel material is a three-side occlusal structure, which can fully ensure the bond strength of the door while ensuring the smooth appearance.
- A cover-strip plate structure is installed on one side of the door, ensuring the overall effect of the door; and the embedded airtight materials can fully achieve the soundproof and sealing effect.
- The bevel profile window and single-sided slant PVC strips can achieve aesthetic appearance and facilitate daily cleaning and maintenance.
- The door material is environmentally friendly galvanized steel sheet, with the Akzo polyester coating, it can resist dirt, greening and environmentally friendly. It has the features of thermal insulation, sound insulation, moisture proof and easy to clean, etc..

门型参数 / SPEC

■ 门框钢板厚度 / Steel panel thickness of door frame	1.5 mm
■ 门扇钢板厚度 / Steel panel thickness of door leaf	0.7 mm
■ 门扇厚度 / Thickness of the door leaf	40 ~ 50 mm
■ 门扇骨架厚度 / Thickness of the door leaf frame	≥ 1.0 mm
■ 手动推力 / Manual thrust	< 100 N
■ 隔声性能 / Sound insulation performance	Rw = 35 dB 四级 (GB / T8485-2008)
■ 防撞性能 / Anti-collision performance	符合GB / T20909-2017
■ 保温性能 / Thermal insulation performance	传热系数K = 2.8W / (m ² .k) 五级
■ 内部填充 / Infill material	聚氨酯发泡材料、蜂窝芯 / Optional drive sensor, Honeycomb paper
■ 单开门MAX / Single door MAX (mm)	1250 × 3000 mm
■ 双开门MAX / Double door MAX (mm)	2500 × 3000 mm



隔音 抗菌 防潮 防撞 易清洁



盥洗室门 Steel Door For Toilet

产品特性

- 门框可采用单、双槽一体式结构, 满足各种环境不同的需求。
- 可选配独特的人字型通风百叶窗, 保持环境空气的流通。
- 表面阿克苏聚酯涂层或GIS木纹饰面, 抗污、绿色环保。具有保温、隔声、防潮、便于清洗等特点。
- 门扇内填充高强度蜂窝与发泡固化胶水的粘合, 使门体坚固且轻便灵活, 并完全隔绝潮湿空气的锈蚀。

Product Features

- The door frame can be single, double slot integrated structure to meet the needs of different environments.
- Optional unique "人" shaped ventilation blinds, to maintain the flow of ambient air.
- The Akzo polyester coating or GIS wood grain finishes can resist dirt, greening and environmentally friendly. It has the features of thermal insulation, sound insulation, moisture proof and easy to clean, etc..
- The door is filled with high-strength honeycomb to bond with foam curing adhesive, to make the door firm, lightweight and flexible, and completely isolated from caused by moist air corrosion.

门型参数 / SPEC

■ 门框钢板厚度 / Steel panel thickness of door frame	1.5 mm
■ 门扇钢板厚度 / Steel panel thickness of door leaf	0.7 mm
■ 门扇厚度 / Thickness of the door leaf	40 ~ 50 mm
■ 门扇骨架厚度 / Thickness of the door leaf frame	≥ 1.0 mm
■ 手动推力 / Manual thrust	< 100 N
■ 隔声性能 / Sound insulation performance	Rw = 35 dB 四级 (GB / T8485-2008)
■ 防撞性能 / Anti-collision performance	符合GB / T20909-2017
■ 保温性能 / Thermal insulation performance	传热系数K = 2.8W / (m ² .k) 五级
■ 内部填充 / Infill material	聚氨酯发泡材料、蜂窝芯 / Optional drive sensor, Honeycomb paper
■ 单开门MAX / Single door MAX (mm)	1250 × 3000 mm



隔音 抗菌 防潮 防撞 易清洁 盥洗室



实验室自动移门 Sliding Door For Lab

产品特性

- 特有的滚珠轨道区别于传统吊轮。
- 通过500万次开关试验,依然顺滑如新。
- 斜面型材视窗,实现美观的同时方便日常卫生清洁维护。
- 材质为环保镀锌钢板,多种颜色防护涂装、抗菌涂装、木饰面等表面特殊处理满足各种场所需求。具有保温、隔声、防潮、便于清洗等特点。
- 配备各种感应开关,红外、激光、脚肘感应以及各种方式的门禁系统,实现无障碍通过。

Product features

- The unique ball track differs from the traditional hanging wheel.
- Through the 5 million-time switch test, still smooth as new.
- Inclined profile window for beautiful and convenient daily hygienic cleaning and maintenance.
- Materials for environmental protection galvanized steel, a variety of color protection coating, antibacterial coating, wood finishes and other surface special treatment to meet the needs of various places. It has the characteristics of heat preservation, sound insulation, moisture-proof and easy cleaning.
- Equipped with a variety of induction switches, infrared, laser, elbow induction and various ways of access control system, to achieve accessibility.

门型参数 / SPEC

■ 门框钢板厚度 / Steel panel thickness of door frame	1.5mm
■ 门扇钢板厚度 / Steel panel thickness of door leaf	0.7mm
■ 门扇厚度 / The thickness of the door leaf	40~50mm
■ 门扇骨架厚度 / Door leaf frame thickness	≥1.0mm
■ 手动推力 / Manual thrust	<100N
■ 隔声性能 / Sound insulation performance	Rw=35dB 四级 (GB/T8485-2008)
■ 防撞性能 / Anti-collision performance	符合GB/T20909-2017
■ 保温性能 / Thermal insulation performance	传热系数 K=2.8W/(m ² .k) 五级
■ 气密性能 / Air tightness	符合GB/T7106-2008
■ 内部填充 / Infill	聚氨酯发泡材料、蜂窝芯
■ 可选视窗 / Optional visible window	圆形、方形玻璃视窗



肘触开关



非接触感应开关



脚踢开关

实验室自动双开门

Steel Automatic Door

产品特性:

- 大型通透玻璃视窗与钢制门体复合组装,兼具通透视觉效果的同时保证门扇的坚固耐用。
- 一体式双开电动开门机系统,集成顺序开闭功能、双面感应防撞功能。
- 可选装烟感逃生功能,选配热源开关、肘击开关、脚踏开关等多种开关方式。
- 斜面型材视窗,实现美观的同时方便日常卫生清洁维护。

Product Features

- Large transparent high-strength glass and steel door body composite assembly, both transparent visual effects while ensuring the durability of the doors.
- The electric door opener system, integrated sequential opening and closing function double-way induction and anti-collision function.
- Optional smoke escape function, the selection of heat source switch, elbow switch, foot switch and so on.
- The bevel profile window can achieving beauty while facilitating daily cleaning and maintenance.



自动气密洁净门

Automatic Hermetic Door

产品特性:

- 气密压紧结构,密闭性能、隔声性能优越,防止交叉感染,符合实验室洁净性能要求,气密性能达到国家标准第8级最高等级。
- 门扇内部钢制骨架,坚固耐用,开闭速度可调,将空气流通量减少到最低程度,防止灰尘及冷风进入洁净场所,保证实验室的恒温恒湿要求。
- 进口直流电机,高寿命、免维护,人性化开启五金,给实验人员推车提供最大程度的使用和通行便利。

Product Features

- Good sealing can prevent cross infection not only meets the laboratory clean performance requirements and also reaches the highest grade of national standard level 8th.
- The steel construction inside the door body for durability. The opening and closing speed of the door is adjustable. The air circulation is reduced to the lowest degree, which can prevent cold wind and dust into the clean place, keeping constant temperature and humidity for laboratory.
- Imported dc motor with long service life, maintenance free, humanized hardware is convenience for the laboratory personnel and cart's with the access.



自动开门机

可选配高品质闭门器,使关门动作更加平稳顺滑。



铝合金把手

(U-型/CL-型)
选用优质的铝合金材料,表面经过阳极化处理。



不锈钢把手

(U-型/CL-型)
采用优质的不锈钢材料。



隔音



抗菌



防潮



防撞



易清洁



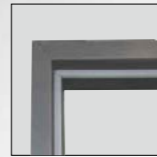
实验室



分析室

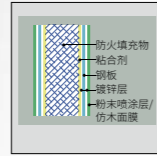
门框密封 / Sealing of door frame

门框内镶嵌PVC密封条, 不仅使门在关闭时安静无声, 而且增强了门框与门扇之间的密封效果。
Door frame is embedded with PVC sealing strip, which not only make door silently when closed, but also improve sealing effect between door frame and door leaf.



防火填充物 / Fireproof filler

新型环保型防火填充材料, 防火效果更胜一筹。此外还可以达到隔热隔音效果。
New environment-friendly fireproof filler has better fireproof effect, and it can achieve hot and sound insulation effect.



防火锁芯 / Fireproof lock cylinder

锁芯采用国际标准的不锈钢材质, 安全有保障。
The stain steel lock cylinder accords with international standard.



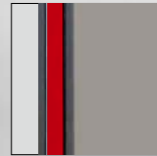
防火门板 / Fireproof door sheet

门扇0.8mm环保热镀锌钢板、门框1.5mm环保热镀锌钢板。
Door leaf is made of 0.8mm environmental galvanized steel, door frame is made of 1.5mm galvanized steel;



防火膨胀密封条 / Fireproof swelling sealing strip

门扇三侧镶有防火膨胀密封条, 当发生火情时迅速膨胀, 填补门扇与门框之间的缝隙, 有效阻隔火焰和烟雾蔓延。
The fireproof swelling sealing strips are installed in three sides of door leaves, which can fill up the gap between door leaf and door frame when fire is rapidly expended, so as to effectively stop flame and smog



防火数字标签 / Fireproof digital label

根据中国消防法规, 每一樘防火门都要粘贴识别身份的防火数字标签。生产单位按要求将产品名称、规格、产品流向等全部信息上报给消防产品跟踪管理系统数据库。
According to China Fire Safety rules, each fireproof door shall be labeled with fireproof digital label which is used for ID identification. The manufacturer shall submit all the information including product name, specifications, product flow, etc. to database of fireproof product track management.



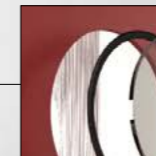
视窗防火玻璃 / Fireproof glass of window

35mm防火玻璃, 其性能应符合GB15763.1的规定。
The property of 35mm fireproof glass shall be in accordance with regulations of GB15763.1.



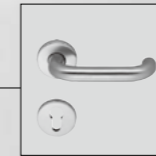
密封材料 / Sealing material

采用对人体无毒无害, 检验达到GB/T20285规定产烟毒性危险分级ZA2级要求的合格产品。
The qualified product which is not harmful to human, meeting the regulations of GB/T20285, with toxicity danger classification of smoke by ZA2 grade is used.



防火把手 / Fireproof handle

马斯德克钢质防火门标配优质进口五金。
Mörsdekor fire steel door standard with high quality imported hardware



旗式防火铰链 / Flag-type fireproof hinge

持久耐用的加强型合页满足您的防火要求。
Durable enhanced hinge meets the requirement of fire resistance.



防火门 Steel Fire Door

马斯德克所有钢质防火门都通过国家强制性产品认证(3C认证), 公司运营严格执行ISO9001质量管理体系/ISO14001环境管理体系要求, 核心工艺和品质标准全面参照欧盟CE及德国DIN品质标准执行。马斯德克钢质防火门完全满足建筑设计及功能要求, 并以高品质的口碑被广泛应用于建筑公共空间、学校、医院、住宅及公共项目等场所。

Mörsdekor all steel fire door achieves CCC China Compulsory Product certification. The company operates by strict implementation of ISO9001 quality management system / ISO14001 environmental management system. The core technology and quality standard comprehensively refer to the EU CE and Germany DIN quality standards. Steel fire door fully meet the architectural design and functional requirements, and are widely used in building public spaces, schools, hospitals, residential and public projects and other places with high-quality fame.



基本参数

- 门框钢板厚度 1.5 mm
- 门扇钢板厚度 0.8 mm / 0.9 mm
- 门扇玻璃厚度 30 / 35 mm
- 开门宽度 800 - 2100 mm
- 门扇厚度 50 / 62 mm
- 防火等级 甲 / 乙 / 丙级
- 内部填充 防火芯板
- 单开门 1000×2300 mm
- 双开门 2100×2300 mm
- 门框侧壁宽度 120 / 146 mm
- 视窗宽度 ≤ 320 mm
- 视窗高度 ≤ 720 mm

Parameter

- Steel panel thickness of door frame 1.5 mm
- Steel panel thickness of door leaf 0.8 mm / 0.9 mm
- Glass thickness of visual window 30 / 35 mm
- Door opening width 800 - 2100 mm
- The thickness of the door leaf 50 / 62 mm
- Fire rating A / B / C
- Infill material Fire proof materials
- Single door 1000×2300 mm
- Double door 2100×2300 mm
- Frame wall width 120 / 146 mm
- Visual window width ≤ 320 mm
- Visual window height ≤ 720 mm





防火门
Steel Fire Door



不锈钢把手 (U-型 / CL-型)

采用优质的不锈钢材料, 完全满足防火及设计要求。

Stainless steel Handle (U-type / CL-type)
Using high quality stainless steel, Fully meet fire prevention and design requirements.



不锈钢精铸铰链

Stainless Steel Hinge



暗插销

双开门固定扇装有一个坚固的整体暗插销, 可以将门扇底部和顶部锁紧在门框上。

Hidden Bolt
Double door fixed leaf is equipped with a sturdy hidden bolt.



逃生锁体和逃生推杠

无论单开或双开门, 可根据需要加装逃生锁体以及推杠, 确保逃生通道的安全性。

Escape Lock Body And Escape Push Lever
Whether single or double open the door to escape, according to need to install the escape lock and push rod, to ensure the safety of escape routes.



金属吊顶
Metal Ceiling



马斯德克金属吊顶系统可为商业空间提供专业的顶面解决方案,可满足现代商业空间对室内环境不同的功能要求。马斯德克金属天花板具有低反光度以及隔热保温性能,产品通常为哑光,有效降低照明能耗和空调负荷,节约日常运行成本。

Mörsdekor metal ceiling system provides a professional ceiling solution for commercial space to meet the requirements of different indoor environment of modern commercial space. With high light reflectance and heat-insulated and warm keeping performance, Mörsdekor ceiling can reduce energy consumption of illumination and load of air conditioner to save daily cost.

基本参数

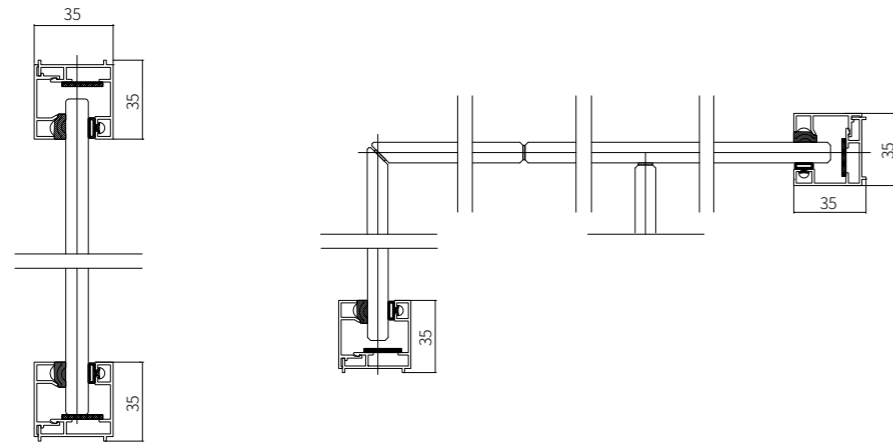
- 表面处理 聚酯喷涂
- 耐用度 15年
- 防潮 一级
- 防火等级 A级 (GB8624-2012)
- 隔音等级 冲孔板 - CAC24db
平板 - CAC24db

Parameter

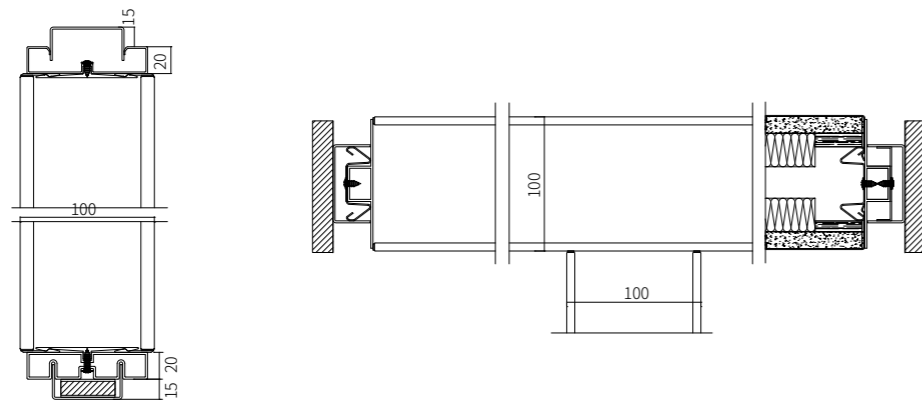
- Surface polyester coating
- Durability 15 years
- Moisture proof Level 1
- Fire rating A-level (GB8624 - 2012)
- Noise level Perforated plates - CAC24dB
Tablet - CAC24dB



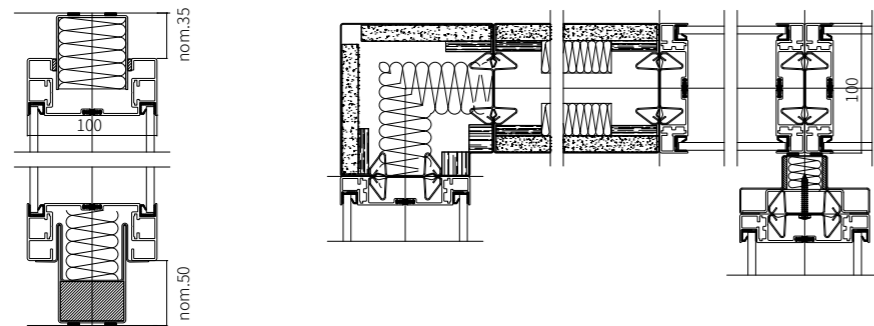
FEINLINE I 全景单玻隔断系统
Feinline I-single Glass System



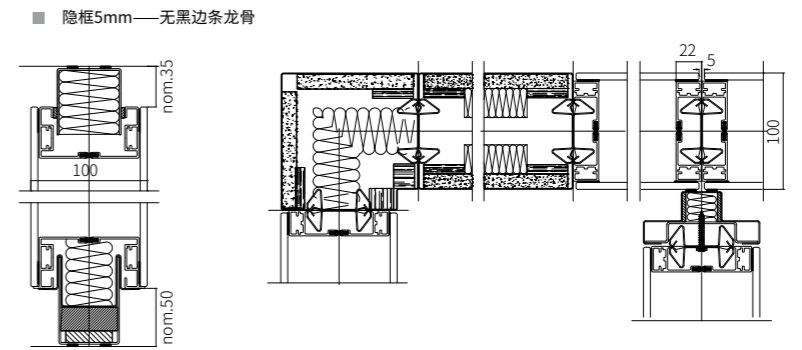
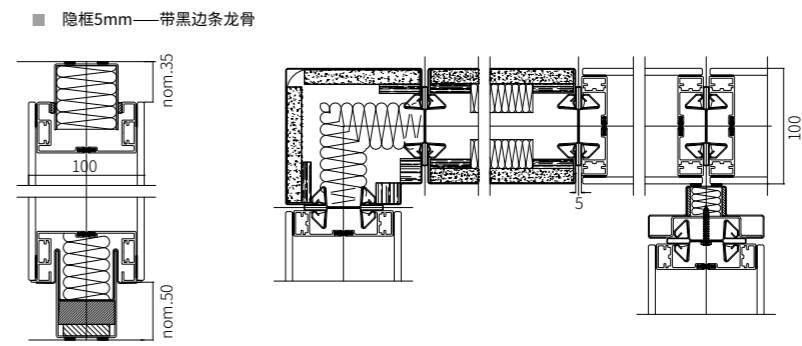
FEINLINE II 全景悬浮双玻隔断系统
Feinline II-levitating Double Glass System



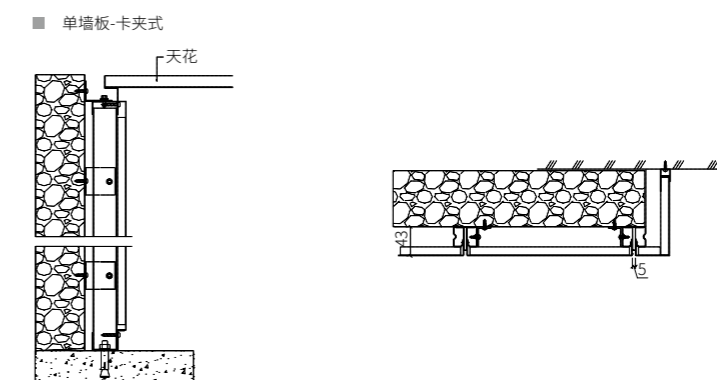
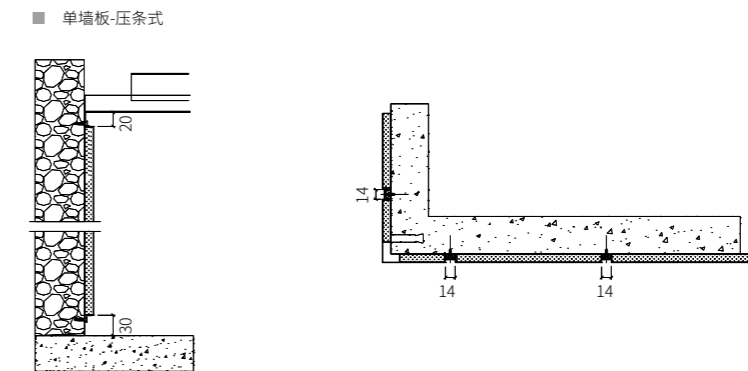
PARTHENON 全钢防火/双玻明框系统
Fire-proof All Steel System
Parthenon-double Glass With Upright System



COMO 双玻隐框隔断系统
COMO-Double Flush Glass System

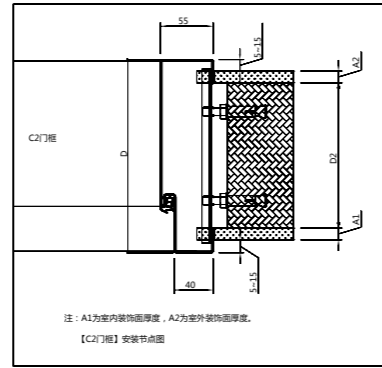
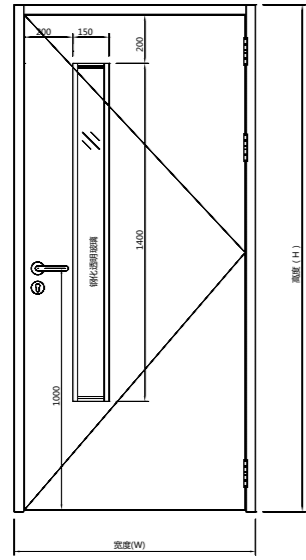


金属墙板隔断
Metal Combination Partition System

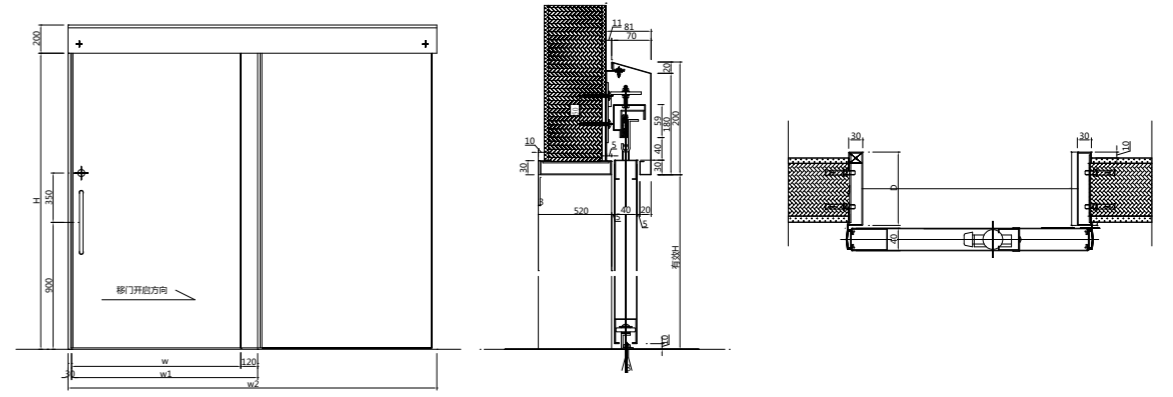


* 节点图仅供参考, 以实际技术资料为准。

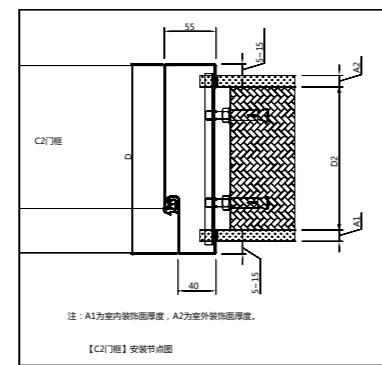
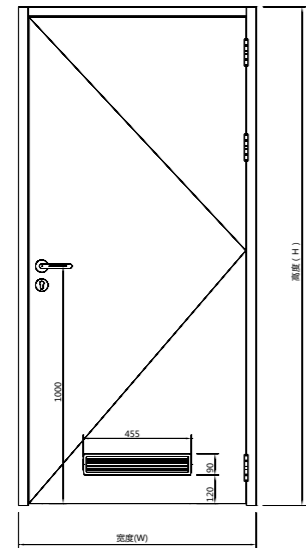
平开门
Steel Door



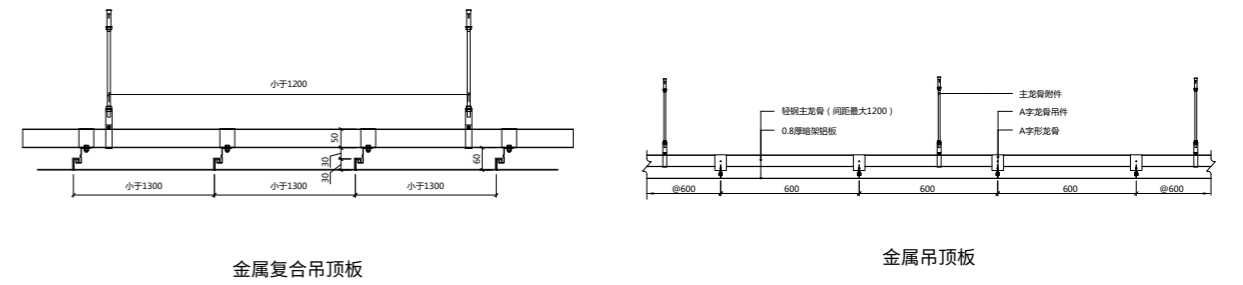
钢制移门
Sliding Door



盥洗室门
Steel Door For Toilet



金属吊顶
Steel Ceiling





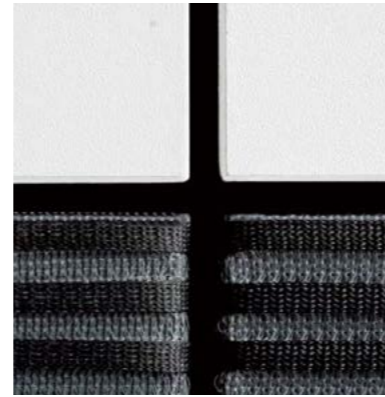
面板与窗框采用密拼连接或 5mm 接缝两种风格, 可采用多种饰面板材 (玻璃、软包、木饰面等)。

Close fit connection or 5mm joint two styles of the panels and the window frame, can use a variety of decorative plates (Glass, upholstery fabric, wood veneer etc.)



所有可视墙体组件均过环保的静电粉末喷涂饰面处理, 有光面和磨砂面两种工艺, 颜色有多种选择。

All visible wall components are electrostatic powder spraying over environmental protection decoration, there are two kinds of glossy and matte surface, and many kinds of colors are selected.



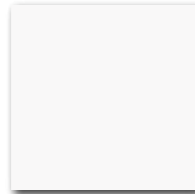
所有材质的饰面板, 采用卡件系统固定。

All kind of surface panel, connected by clamp systems.

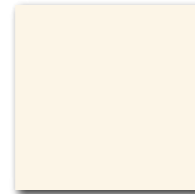
聚酯喷涂 / Polyester Coating



米白 / White



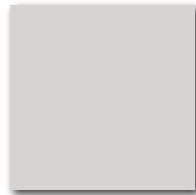
象牙白 / Ivory



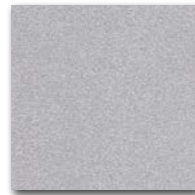
米黄 / Beige



亮橙 / Orange



浅灰 / Light grey



闪银 / Silver



炭灰 / Dark gray



酒红 / Wine

马斯德克提供多种RAL颜色的选择, 并可根据客户需求订做所需颜色。

Mörsdekor offer a variety of RAL color options and can be customized according to customer demand for color.

GIS饰面 / GIS Standard Colors



001



002



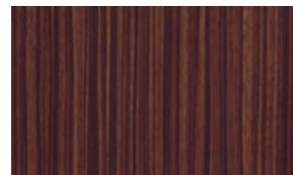
003



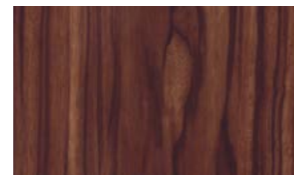
004



005



006



007



008

以上饰面为标准贴面, 其他贴面可根据客户要求订做。

The above standard finishes for wood colors can be customized according to customer requirements.

注: 由于印刷原因, 本画册产品颜色与产品实物可能出现色差, 请以产品实物为准。

Note: Product colors shown on the Product Catalogue may different from the actual colors due to printing. In the case, the actual product color shall prevail.

Mörsdekor®
马斯德克